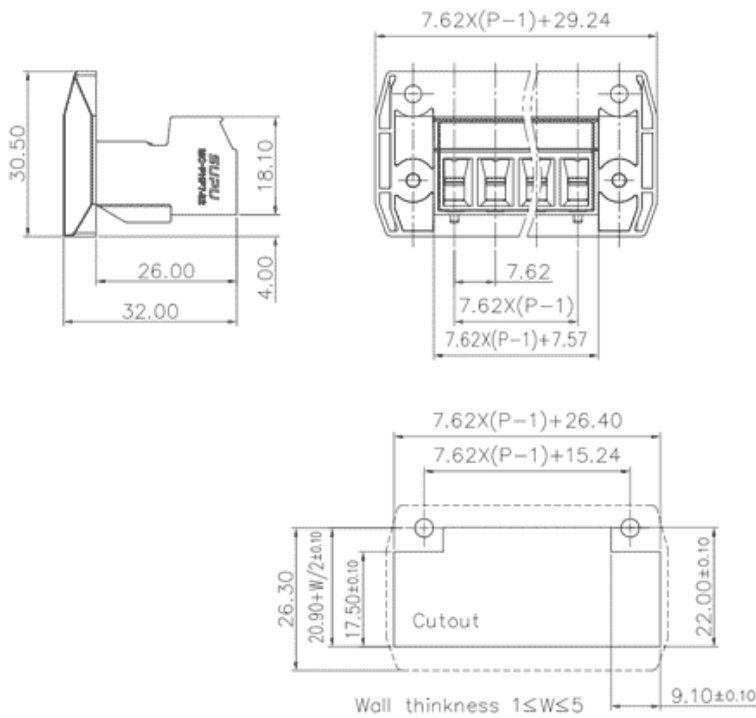


Product Type: Plug-in terminal-Socket

Product Name:MC-
PHP7.62HXXC-F-0001

Product Description: Pitch: 7.62mm Rated
Voltage : 630V Rated Current: 20A
colour : customizable

Product Size



Parameters

SUPU ID	MC-PHP7.62HXXC-F-0001
Pitch	7.62
Number of connections	XX
Connection method	Screw connection

☞ Protection Level	IP20
☞ Operating temperature range	-40~+105°C
☞ Insulation material	PA66
☞ Insulation material group	I
☞ Contact material	Copper alloy
☞ Contact plating	Sn,Plated
☞ Color	Green/Black/Blue/Grey/Orange/Red

Technical data

☞ IEC Rated Current	20A
☞ IEC Rated Voltage	630V
☞ Overvoltage category	III III II
☞ Degree of pollution	3 2 2
☞ Rated impulse voltage	6.0KV 6.0KV 6.0KV
☞ UL Rated Current	35A - 10A
☞ UL Rated Voltage	300V - 300V
☞ Conductor cross section rigid	0.2-4.0mm ²
☞ Conductor cross section flexible	0.2-4.0mm ²
☞ Conductor cross section flexible,with furrule	0.25-2.5mm ²
☞ Locking screw Specification	M3
☞ Locking screw torque	0.5N.m
☞ Fixed Screw Specification	M3
☞ Stripping length	8-9mm
☞ Use group	B/C/D

☞ Order No

MC-PHP7.62HXXC-F-0001

Ningbo SUPU Electronics Co., Ltd.

Address: No. 150, Xinxing 4th Road, High-tech Industrial Development Zone,
Cixi City, Zhejiang Province, China

Zip code: 315303

Switchboard: +86 574-63288158

Fax: +86 574-63288170

E-mail:supucontact@supu.cn

Service Hotline: 400-626-6336



Wechat