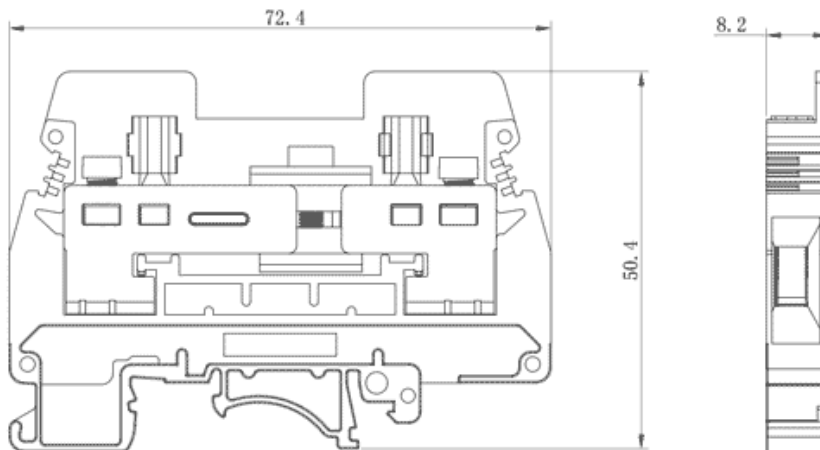


Product Type: Screw terminal

Product Name:306911

Product Description: Connection method:Screw connection,IEC Rated current:41A,IEC Rated Voltage:400V,Number of connections:2,Number of levels : 1,Rated cross section:26-8AWG

Product Size



Parameters

<input checked="" type="checkbox"/> SUPU ID	306911
<input checked="" type="checkbox"/> Width	8.2mm
<input checked="" type="checkbox"/> Number of levels	1
<input checked="" type="checkbox"/> Number of connections	2

<input type="checkbox"/> Connection method	Screw connection
<input type="checkbox"/> Protection Level	IP20
<input type="checkbox"/> Insulation material	PA66
<input type="checkbox"/> Insulation material group	I
<input type="checkbox"/> Contact material	Copper alloy
<input type="checkbox"/> Contact plating	Ni,Plated
<input type="checkbox"/> Ambient temperature (operation)	-40°C~105°C
<input type="checkbox"/> Ambient temperature (assembly)	-5°C~70°C
<input type="checkbox"/> Ambient temperature (storage)	-25°C~60°C
<input type="checkbox"/> Permissible humidity (storage/transport)	30%~70%
<input type="checkbox"/> Product type	Test terminal block

Technical data

<input type="checkbox"/> IEC Rated Current	41A
<input type="checkbox"/> IEC Rated Voltage	400V
<input type="checkbox"/> Overvoltage category	III
<input type="checkbox"/> Degree of pollution	3
<input type="checkbox"/> Rated impulse voltage	6kV
<input type="checkbox"/> UL Rated Current	50A
<input type="checkbox"/> UL Rated Voltage	300V
<input type="checkbox"/> Conductor cross section rigid	0.5-10mm ²
<input type="checkbox"/> Conductor cross section flexible	0.5-6mm ²
<input type="checkbox"/> Conductor cross section flexible,with ferrule	0.5-4mm ²
<input type="checkbox"/> Locking screw Specification	M4

<input type="checkbox"/> Locking screw torque	1.2-1.5N.m
<input type="checkbox"/> Fixed Screw Specification	M3
<input type="checkbox"/> 固定螺钉扭矩	0.6-0.8N.m
<input type="checkbox"/> Stripping length	13-14mm
<input type="checkbox"/> Use group	B/C
<input type="checkbox"/> Rated cross section	26-8AWG
<input type="checkbox"/> UL Rated Current	50A
<input type="checkbox"/> UL Rated Current	300V

Commercial data

<input type="checkbox"/> Order No	306911
-----------------------------------	--------

Ningbo SUPU Electronics Co., Ltd.

Address: No. 150, Xinxing 4th Road, High-tech Industrial Development Zone,

Cixi City, Zhejiang Province, China

Zip code: 315303

Switchboard: +86 574-63288158

Fax: +86 574-63288170

E-mail:supucontact@supu.cn

Service Hotline: 400-626-6336



Date:2026-05-04 08:47

The right to modify data belongs to SUPU.