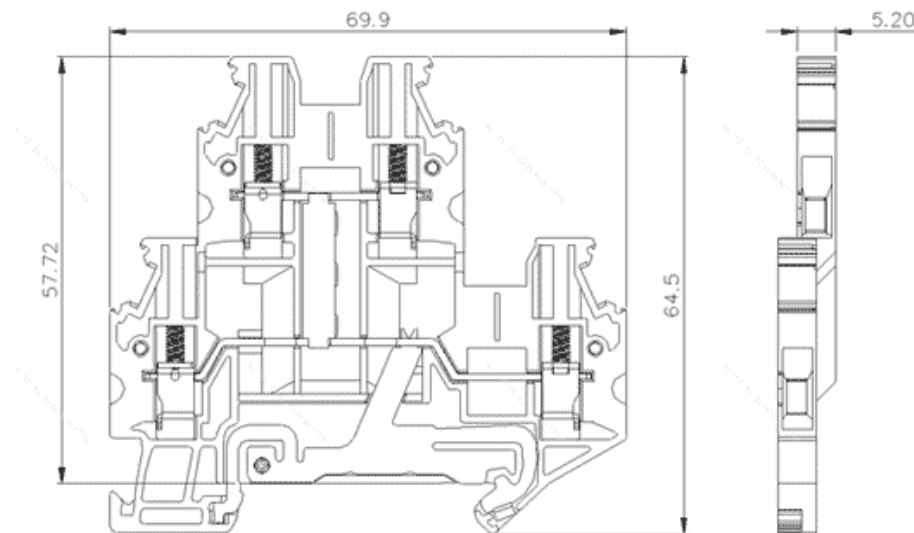


Product Type: Screw terminal

## Product Name:TUD2.5-2-PE

Product Description: Connection method:Screw connection,IEC Rated current:/,IEC Rated Voltage:800V,Number of connections:4,Number of levels : 2,Rated cross section:26-12AWG

### Product Size



### Parameters

<input checked="" type="checkbox"/> SUPU ID	TUD2.5-2-PE
<input checked="" type="checkbox"/> Width	5.2mm
<input checked="" type="checkbox"/> Number of levels	2
<input checked="" type="checkbox"/> Number of connections	4

<input type="checkbox"/> Connection method	Screw connection
<input type="checkbox"/> Protection Level	IP20
<input type="checkbox"/> Insulation material	PA66
<input type="checkbox"/> Insulation material group	I
<input type="checkbox"/> Contact material	Copper alloy
<input type="checkbox"/> Contact plating	Sn,Plated
<input type="checkbox"/> Ambient temperature (operation)	-40°C~105°C
<input type="checkbox"/> Ambient temperature (assembly)	-5°C~70°C
<input type="checkbox"/> Ambient temperature (storage)	-25°C~60°C
<input type="checkbox"/> Permissible humidity (storage/transport)	30%~70%
<input type="checkbox"/> Product type	Ground terminal

## Technical data

<input type="checkbox"/> IEC Rated Current	/
<input type="checkbox"/> IEC Rated Voltage	800V
<input type="checkbox"/> Overvoltage category	III
<input type="checkbox"/> Degree of pollution	3
<input type="checkbox"/> Rated impulse voltage	8kV
<input type="checkbox"/> UL Rated Current	/
<input type="checkbox"/> UL Rated Voltage	600V
<input type="checkbox"/> Conductor cross section rigid	0.2-4mm <sup>2</sup>
<input type="checkbox"/> Conductor cross section flexible	0.2-2.5mm <sup>2</sup>
<input type="checkbox"/> Conductor cross section flexible,with ferrule	0.2-2.5mm <sup>2</sup>
<input type="checkbox"/> Locking screw Specification	M2.5

<input type="checkbox"/> Locking screw torque	0.4N.m
<input type="checkbox"/> Fixed Screw Specification	/
<input type="checkbox"/> 固定螺钉扭矩	/
<input type="checkbox"/> Stripping length	9-11mm
<input type="checkbox"/> Use group	B/C
<input type="checkbox"/> Rated cross section	26-12AWG
<input type="checkbox"/> UL Rated Current	/
<input type="checkbox"/> UL Rated Current	600V

## Commercial data

<input type="checkbox"/> Order No	TUD2.5-2-PE
-----------------------------------	-------------

### Ningbo SUPU Electronics Co., Ltd.

Address: No. 150, Xinxing 4th Road, High-tech Industrial Development Zone,

Cixi City, Zhejiang Province, China

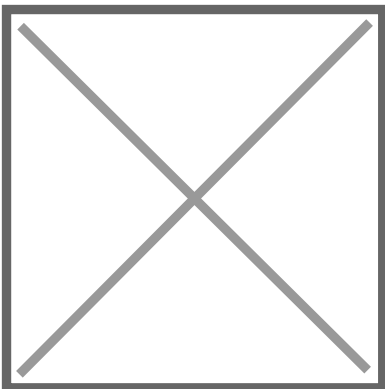
Zip code: 315303

Switchboard: +86 574-63288158

Fax: +86 574-63288170

E-mail:supucontact@supu.cn

Service Hotline: 400-626-6336



---

Date:2026-04-30 03:01

The right to modify data belongs to SUPU.