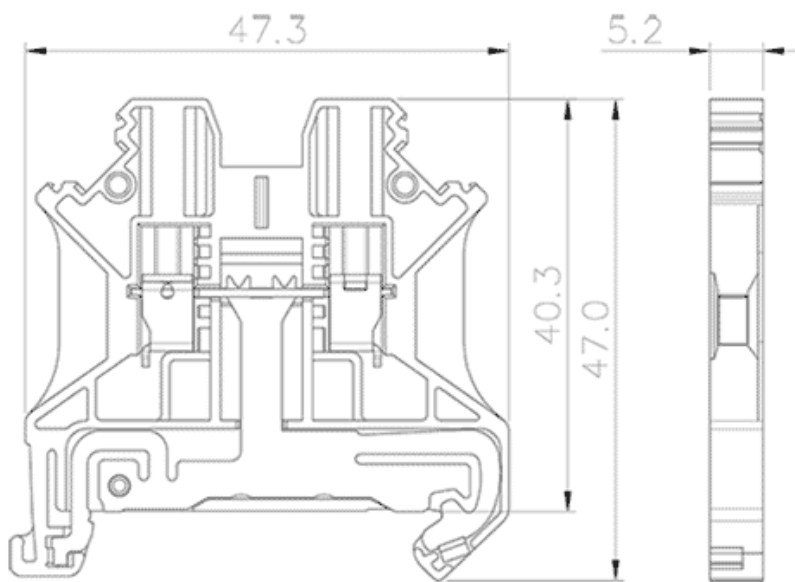


Product Type: Screw terminal

Product Name: TU2.5-2-PE

Product Description: Connection method: Screw connection, IEC Rated current: /, IEC Rated Voltage: 1000V, Number of connections: 2, Number of levels : 1, Rated cross section: 26-12AWG

Product Size



Parameters

| | |
|---|------------|
| <input checked="" type="checkbox"/> SUPU ID | TU2.5-2-PE |
| <input checked="" type="checkbox"/> Width | 5.2mm |
| <input checked="" type="checkbox"/> Number of levels | 1 |
| <input checked="" type="checkbox"/> Number of connections | 2 |

| | |
|---|------------------|
| <input type="checkbox"/> Connection method | Screw connection |
| <input type="checkbox"/> Protection Level | IP20 |
| <input type="checkbox"/> Insulation material | PA66 |
| <input type="checkbox"/> Insulation material group | I |
| <input type="checkbox"/> Contact material | Copper alloy |
| <input type="checkbox"/> Contact plating | Sn,Plated |
| <input type="checkbox"/> Ambient temperature (operation) | -40°C~105°C |
| <input type="checkbox"/> Ambient temperature (assembly) | -5°C~70°C |
| <input type="checkbox"/> Ambient temperature (storage) | -25°C~60°C |
| <input type="checkbox"/> Permissible humidity (storage/transport) | 30%~70% |
| <input type="checkbox"/> Product type | Ground terminal |

Technical data

| | |
|--|------------------------|
| <input type="checkbox"/> IEC Rated Current | / |
| <input type="checkbox"/> IEC Rated Voltage | 1000V |
| <input type="checkbox"/> Overvoltage category | III |
| <input type="checkbox"/> Degree of pollution | 3 |
| <input type="checkbox"/> Rated impulse voltage | 8kV |
| <input type="checkbox"/> UL Rated Current | / |
| <input type="checkbox"/> UL Rated Voltage | 600V |
| <input type="checkbox"/> Conductor cross section rigid | 0.2-4mm ² |
| <input type="checkbox"/> Conductor cross section flexible | 0.2-2.5mm ² |
| <input type="checkbox"/> Conductor cross section flexible,with ferrule | 0.2-2.5mm ² |
| <input type="checkbox"/> Locking screw Specification | M2.5 |

| | |
|--|----------|
| <input type="checkbox"/> Locking screw torque | 0.4N.m |
| <input type="checkbox"/> Fixed Screw Specification | / |
| <input type="checkbox"/> 固定螺钉扭矩 | / |
| <input type="checkbox"/> Stripping length | 9-11mm |
| <input type="checkbox"/> Use group | B/C |
| <input type="checkbox"/> Rated cross section | 26-12AWG |
| <input type="checkbox"/> UL Rated Current | / |
| <input type="checkbox"/> UL Rated Current | 600V |

Commercial data

| | |
|-----------------------------------|------------|
| <input type="checkbox"/> Order No | TU2.5-2-PE |
|-----------------------------------|------------|

Ningbo SUPU Electronics Co., Ltd.

Address: No. 150, Xinxing 4th Road, High-tech Industrial Development Zone,

Cixi City, Zhejiang Province, China

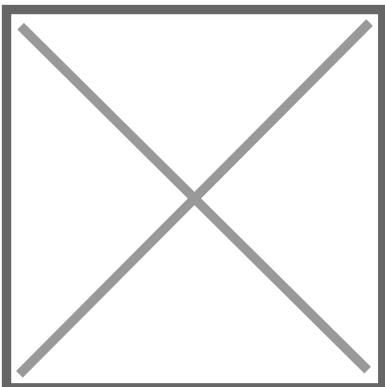
Zip code: 315303

Switchboard: +86 574-63288158

Fax: +86 574-63288170

E-mail:supucontact@supu.cn

Service Hotline: 400-626-6336



Date:2026-04-30 02:55

The right to modify data belongs to SUPU.