

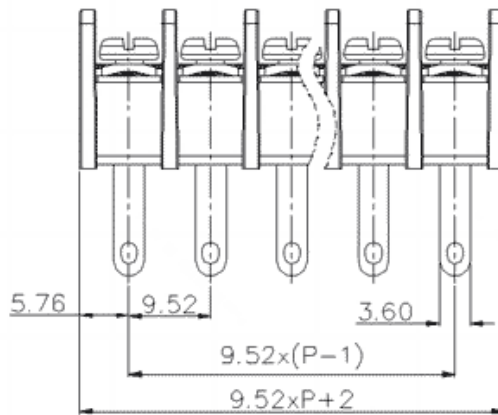
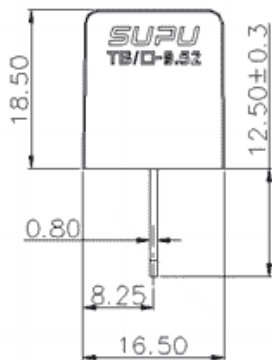
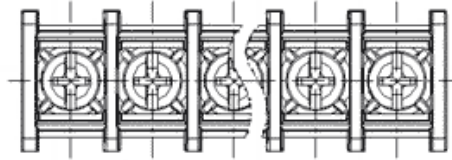
Product Type: Barrier terminal

Product Name: TB-W5-
9.52V17C-125-001



Product Description: pitch : 9.52mm, rated voltage IEC630V, rated current IEC32A, color: black, Rated cross section 22-12AWG

Product Size



Parameters

| | |
|-------------------------|------------------------|
| ☞ SUPU ID | TB/W5-9.52V17C-125-001 |
| ☞ Pitch | 9.52 |
| ☞ Number of levels | single layer |
| ☞ Number of connections | 17 |

| | |
|-------------------------------|------------------|
| ☞ Connection method | Screw connection |
| ☞ Protection Level | IP20 |
| ☞ Operating temperature range | -40°C ~+105°C |
| ☞ Insulation material | PA66 |
| ☞ Insulation material group | I |
| ☞ Contact material | Copper alloy |
| ☞ Contact plating | Sn plated |

Technical data

| | |
|---------------------------------|--------------|
| ☞ IEC Rated Current | 32/32/32 |
| ☞ IEC Rated Voltage | 500/630/1000 |
| ☞ Overvoltage category | III/III/ II |
| ☞ Degree of pollution | 3/2/2 |
| ☞ Rated impulse voltage | / |
| ☞ Conductor cross section rigid | 0.5-4 |
| ☞ Stripping length | 8-9 |
| ☞ Tightening torque | 10.53 |
| ☞ Connection capacity AWG | 22-12 |
| ☞ UL Rated Current | 25/10 |
| ☞ UL Rated Current | 300/300 |

Commercial data

| | |
|------------|------------------------|
| ☞ Order No | TB/W5-9.52V17C-125-001 |
|------------|------------------------|

Ningbo SUPU Electronics Co., Ltd.

Address: No. 150, Xinxing 4th Road, High-tech Industrial Development Zone,
Cixi City, Zhejiang Province, China

Zip code: 315303

Switchboard: +86 574-63288158

Fax: +86 574-63288170

E-mail:supucontact@supu.cn

Service Hotline: 400-626-6336



Wechat

Date:2025-07-22 15:40

The right to modify data belongs to SUPU.