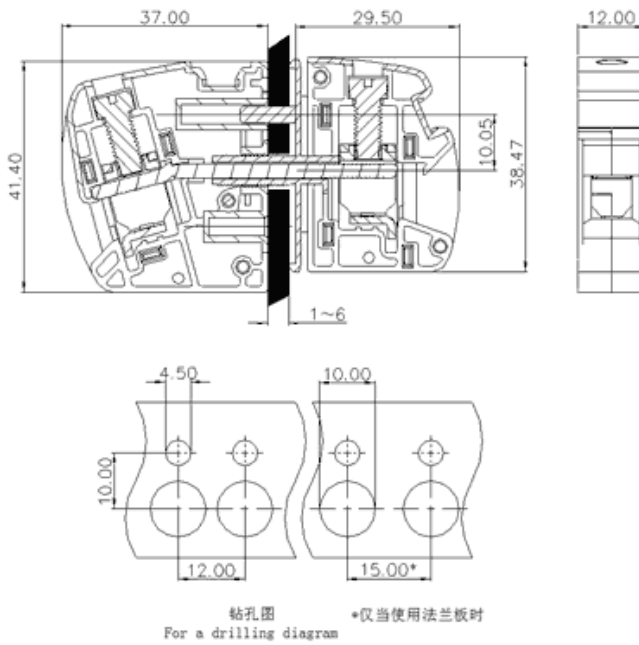


Product Type: Feed-through terminal

Product Name:SCWH16

Product Description: Rated Voltage : 500V Rated Current:76A colour : Light Gray

Product Size



Parameters

☞ SUPU ID	SCWH16
☞ Number of connections	2
☞ Connection method	Screw connection
☞ Protection Level	IP20

☞ Operating temperature range	-40~+105°C
☞ Insulation material	PA66
☞ Insulation material group	I
☞ Contact material	Copper alloy
☞ Contact plating	Sn,Plated

Commercial data

☞ Order No	SCWH16
------------	--------

Ningbo SUPU Electronics Co., Ltd.

Address: No. 150, Xinxing 4th Road, High-tech Industrial Development Zone,

Cixi City, Zhejiang Province, China

Zip code: 315303

Switchboard: +86 574-63288158

Fax: +86 574-63288170

E-mail:supucontact@supu.cn

Service Hotline: 400-626-6336



Wechat