

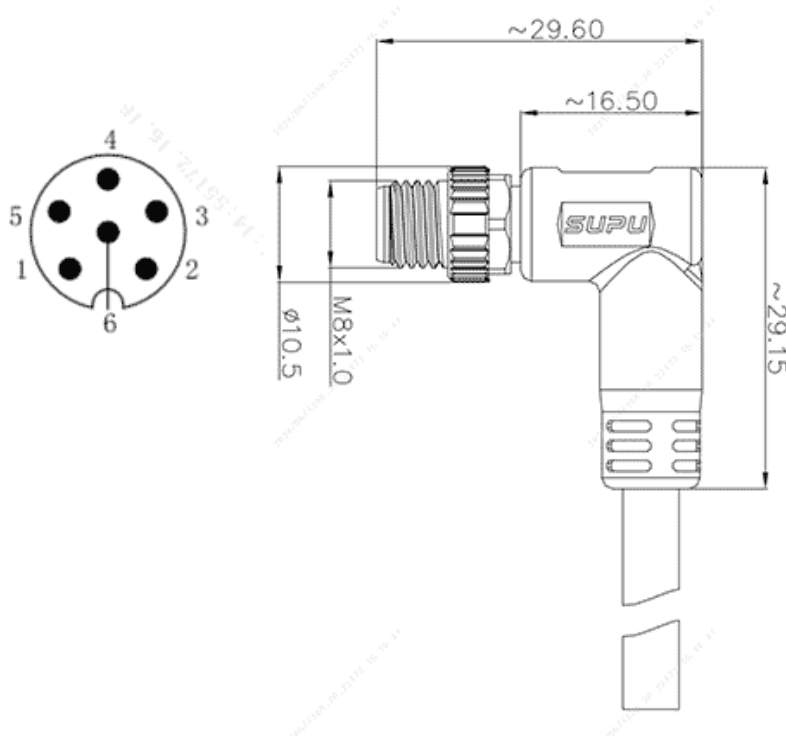


Product Type: M8 Moulded Connector

Product Name: M8A06Z-MMSRA-SC001B

Product Description: M8A moulded angled male 6-core shielded PVC wire 1 m

### Product Size



### Parameters

|                               |         |
|-------------------------------|---------|
| ☞ SUPU ID                     | M8      |
| ☞ Number of connections       | 6       |
| ☞ Protection Level            | IP67    |
| ☞ Operating temperature range | -40~+85 |

|                        |                |
|------------------------|----------------|
| ☞ Thread type          | M8X1.0         |
| ☞ Category             | 针式             |
| ☞ Product type         | 预铸成型式          |
| ☞ Coding               | A              |
| ☞ Connection method    | 预铸成型式          |
| ☞ Shielded             | YES            |
| ☞ Mechanical endurance | ≥100           |
| ☞ Standards            | IEC61076-2-104 |

## Commercial data

|                          |                     |
|--------------------------|---------------------|
| ☞ Order No               | M8A06Z-MMSRA-SC001B |
| ☞ Packing unit           | PCS                 |
| ☞ Minimum order quantity | 1                   |

## Ningbo SUPU Electronics Co., Ltd.

Address: No. 150, Xinxing 4th Road, High-tech Industrial Development Zone,

Cixi City, Zhejiang Province, China

Zip code: 315303

Switchboard: +86 574-63288158

Fax: +86 574-63288170

E-mail:supucontact@supu.cn

Service Hotline: 400-626-6336



Wechat

---

Date:2026-05-05 16:06

The right to modify data belongs to SUPU.