

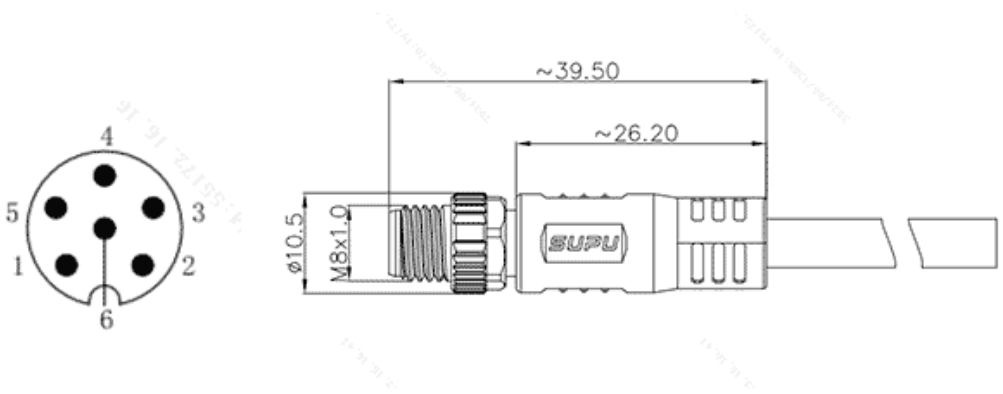
Product Type: M8 Moulded Connector

Product Name: M8A06Z-MMSST-SP001B



Product Description: M8A moulded straight male 6-core shielded PUR wire 1 m

Product Size



Parameters

| | |
|-----------------------------|---------|
| SUPU ID | M8 |
| Number of connections | 6 |
| Protection Level | IP67 |
| Operating temperature range | -40~+85 |

| | |
|------------------------|----------------|
| ☞ Thread type | M8X1.0 |
| ☞ Category | 针式 |
| ☞ Product type | 预铸成型式 |
| ☞ Coding | A |
| ☞ Connection method | 预铸成型式 |
| ☞ Shielded | YES |
| ☞ Mechanical endurance | ≥100 |
| ☞ Standards | IEC61076-2-104 |

Commercial data

| | |
|--------------------------|---------------------|
| ☞ Order No | M8A06Z-MMSST-SP001B |
| ☞ Packing unit | PCS |
| ☞ Minimum order quantity | 1 |

Ningbo SUPU Electronics Co., Ltd.

Address: No. 150, Xinxing 4th Road, High-tech Industrial Development Zone,

Cixi City, Zhejiang Province, China

Zip code: 315303

Switchboard: +86 574-63288158

Fax: +86 574-63288170

E-mail:supucontact@supu.cn

Service Hotline: 400-626-6336



Wechat

Date:2026-05-09 17:50

The right to modify data belongs to SUPU.