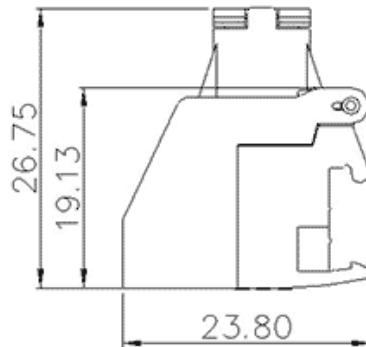
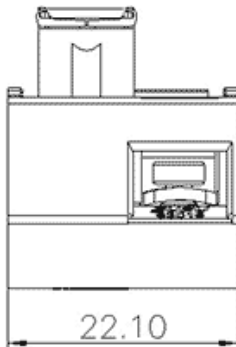
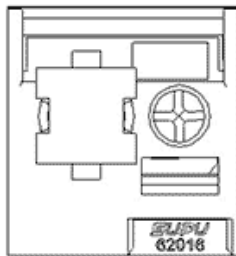


Product Type: Transformer terminal

Product Name:620162

Product Description: Pitch: 22mm Rated Voltage : 600V Rated Current:10A Connection method : Screw connection colour : orange

Product Size



Parameters

⌘ SUPU ID	620162
⌘ Pitch	22
⌘ Number of levels	single layer
⌘ Number of connections	1

☞ Connection method	Screw connection
☞ Protection Level	IP20
☞ Operating temperature range	-25°C~70°C
☞ Insulation material	PA66
☞ Insulation material group	I
☞ Contact material	Copper alloy
☞ Contact plating	Tin
☞ Color	Orange

Technical data

☞ IEC Rated Current	10A
☞ IEC Rated Voltage	600V
☞ Overvoltage category	III/III/ II
☞ Degree of pollution	3 2 2
☞ Rated impulse voltage	3KV - -
☞ UL Rated Current	10A - 10A
☞ UL Rated Voltage	600V - 600V
☞ Conductor cross section rigid	0.5-2.5mm ²
☞ Conductor cross section flexible	0.5-2.5mm ²
☞ Conductor cross section flexible,with ferrule	0.5-2.5mm ²
☞ Locking screw Specification	M3.5
☞ Locking screw torque	0.6-0.8N.m
☞ Fixed Screw Specification	-
☞ Stripping length	8~9mm

☞ Order No

620162

Ningbo SUPU Electronics Co., Ltd.

Address: No. 150, Xinxing 4th Road, High-tech Industrial Development Zone,
Cixi City, Zhejiang Province, China

Zip code: 315303

Switchboard: +86 574-63288158

Fax: +86 574-63288170

E-mail:supucontact@supu.cn

Service Hotline: 400-626-6336



Wechat