

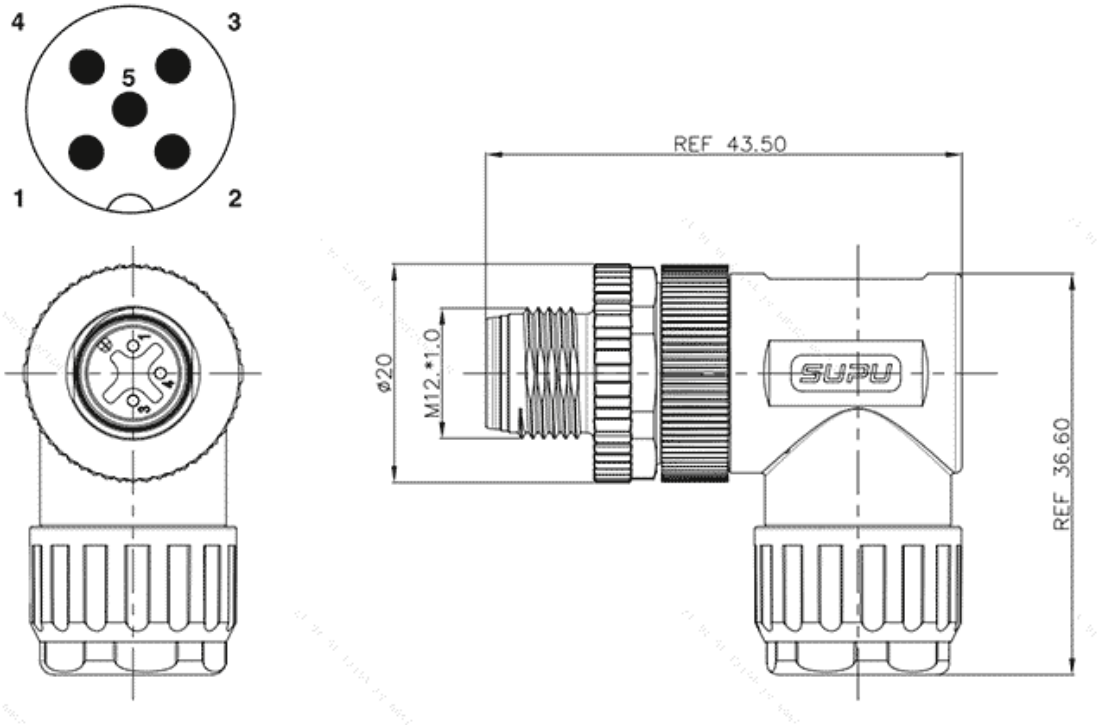


Product Type: M12 Field-assembly Connector

Product Name: M12A05Z-
MAARAUB

Product Description: M12A Assembly lock screw type, angled male 5-core, unshielded, the diameter of the adapter wire is 6.0-8.0MM

Product Size



Parameters

| | |
|-------------------------------|-----------|
| ☞ Number of connections | 5 |
| ☞ Cable OD. | Field |
| ☞ Protection Level | IP67 |
| ☞ Operating temperature range | -40~+85°C |

| | |
|------------------------|----------------|
| ☞ Thread type | M12X1.0 |
| ☞ Category | Pin |
| ☞ Coding | A |
| ☞ Shielded | NO |
| ☞ Mechanical endurance | ≥100 |
| ☞ Standards | IEC61076-2-101 |

Ningbo SUPU Electronics Co., Ltd.

Address: No. 150, Xinxing 4th Road, High-tech Industrial Development Zone,
Cixi City, Zhejiang Province, China

Zip code: 315303

Switchboard: +86 574-63288158

Fax: +86 574-63288170

E-mail:supucontact@supu.cn

Service Hotline: 400-626-6336



Wechat