

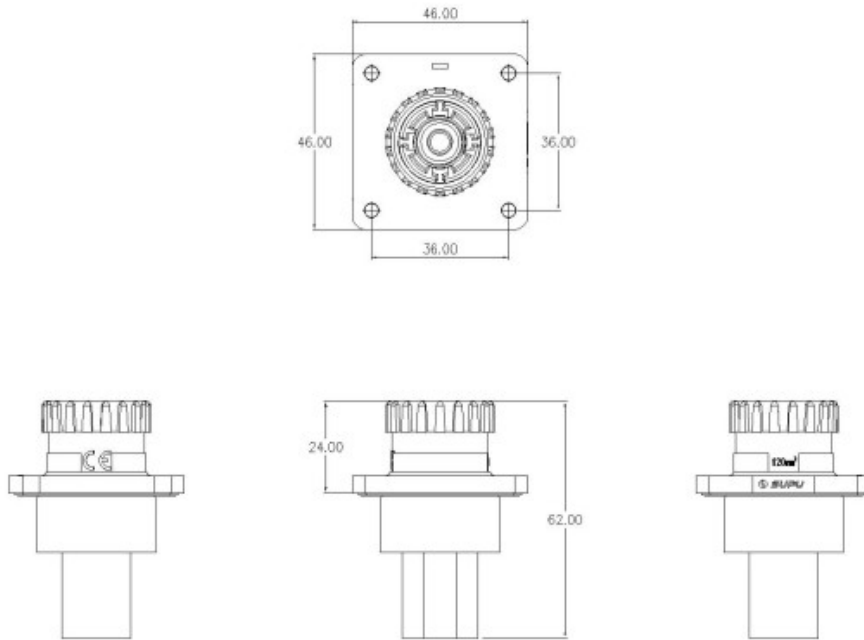


Product Type: IP67 connector




Product Name:ESF-RS350A120BS4

Product Description: Connectors suitable for energy storage modules Color: Black Rated voltage: 1500V DC Rated current: 350A Connection method: Nuts Contact type:Pin wire cross-section: 120mm² cable outer diameter: 15.2mm to 19.7mm

Product Size



Parameters

| | |
|--|------------------|
| <p> SUPU ID</p> | ESF-RS350A120BS4 |
| <p> Number of connections</p> | 1 |
| <p> Connection method</p> | Bolt connection |

| | |
|-------------------------------|--------------|
| ☞ Protection Level | IP 67 |
| ☞ Operating temperature range | -40°C~+125°C |
| ☞ Insulation material | III |
| ☞ Insulation material group | III |
| ☞ Contact material | Copper alloy |
| ☞ Contact plating | Ag,Plated |
| ☞ Insertion/withdrawal cycles | 100 |
| ☞ Insertion force | ≤75N |
| ☞ Withdrawal force | ≥10N |

Technical data

| | |
|----------------------------|---------------|
| ☞ IEC Rated Current | 350A |
| ☞ IEC Rated Voltage | 1500V DC |
| ☞ Overvoltage category | III |
| ☞ Degree of pollution | 3 |
| ☞ Rated impulse voltage | 12.3KV |
| ☞ Stripping length | 20±1mm |
| ☞ Rated cross section(AWG) | 3/0 AWG |
| ☞ External cable diameter | 15.2mm~19.7mm |

Commercial data

| | |
|--------------------------|------------------|
| ☞ Order No | ESF-RS350A120BS4 |
| ☞ Packing unit | Pcs |
| ☞ Minimum order quantity | 1 |

Ningbo SUPU Electronics Co., Ltd.

Address: No. 150, Xinxing 4th Road, High-tech Industrial Development Zone,

Cixi City, Zhejiang Province, China

Zip code: 315303

Switchboard: +86 574-63288158

Fax: +86 574-63288170

E-mail:supucontact@supu.cn

Service Hotline: 400-626-6336



Wechat