

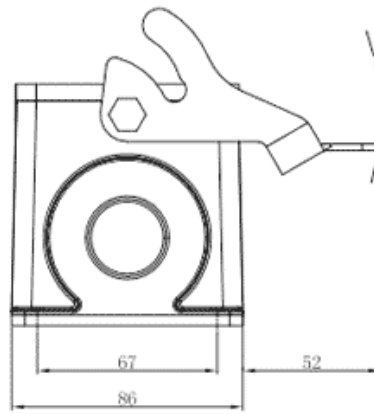
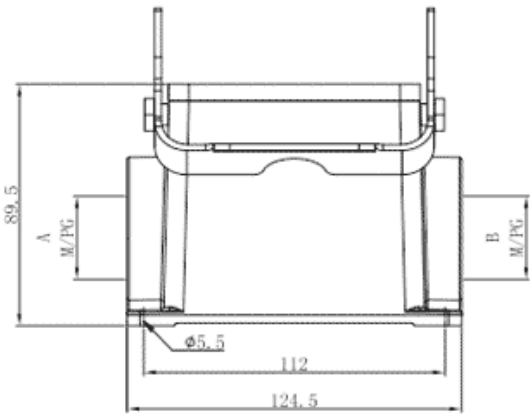


Product Type: Heavy-duty Connector Housing

Product Name: S32B-SM-1L.M-2M32

Product Description: S32B Housings, metal, 1 levers, surface mounting, 2xM32 thread

**Product Size**



**Parameters**

|                                      |                          |
|--------------------------------------|--------------------------|
| <p>☞ SUPU ID</p>                     | <p>S32B-SM-1L.M-2M32</p> |
| <p>☞ Protection Level</p>            | <p>IP65</p>              |
| <p>☞ Operating temperature range</p> | <p>-40°C~+125°C</p>      |
| <p>☞ Color</p>                       | <p>Grey</p>              |

|                        |      |
|------------------------|------|
| ☞ Thread type          | M32  |
| ☞ Category             | Base |
| ☞ Mechanical endurance | ≥500 |

## Technical data

|                    |                   |
|--------------------|-------------------|
| ☞ Sealing material | NBR               |
| ☞ Housing Material | Die-Cast Aluminum |

## Commercial data

|                          |                   |
|--------------------------|-------------------|
| ☞ Order No               | S32B-SM-1L.M-2M32 |
| ☞ Packing unit           | PCS               |
| ☞ Minimum order quantity | 1                 |

### Ningbo SUPU Electronics Co., Ltd.

Address: No. 150, Xinxing 4th Road, High-tech Industrial Development Zone,

Cixi City, Zhejiang Province, China

Zip code: 315303

Switchboard: +86 574-63288158

Fax: +86 574-63288170

E-mail: [supucontact@supu.cn](mailto:supucontact@supu.cn)

Service Hotline: 400-626-6336



Wechat

---

Date:2026-05-02 06:15

The right to modify data belongs to SUPU.