

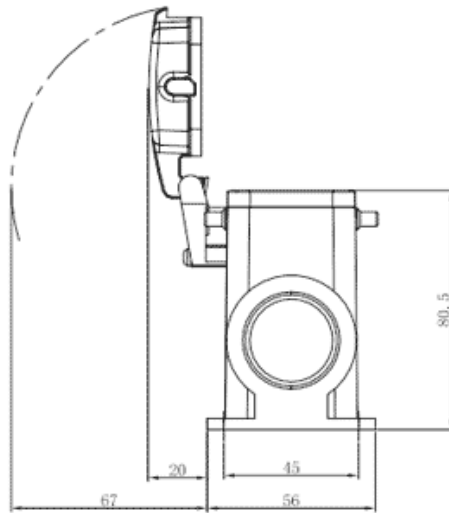
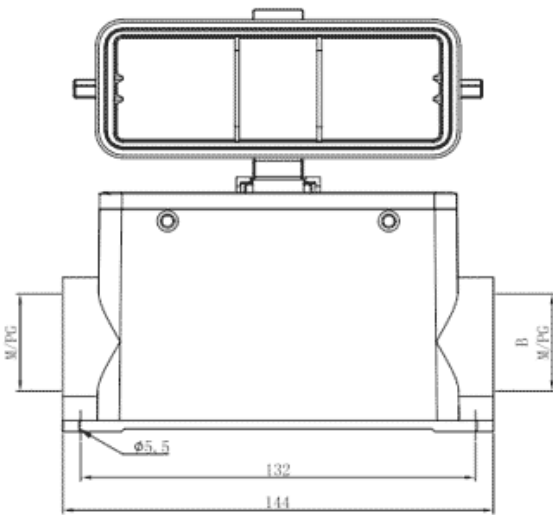


Product Type: Heavy-duty Connector Housing

Product Name: S24B-SMH-4B-PG21-PC

Product Description: S24B Housings, metal, 4 blots, surface mounting, high construction, PG21 thread, plastic cover

### Product Size



### Parameters

SUPU ID	S24B-SMH-4B-PG21-PC
Protection Level	IP65
Operating temperature range	-40°C~+125°C
Color	Grey

☞ Thread type	PG21
☞ Category	Base
☞ Mechanical endurance	≥500

## Technical data

☞ Sealing material	NBR
☞ Housing Material	Die-Cast Aluminum

## Commercial data

☞ Order No	S24B-SMH-4B-PG21-PC
☞ Packing unit	PCS
☞ Minimum order quantity	1

### Ningbo SUPU Electronics Co., Ltd.

Address: No. 150, Xinxing 4th Road, High-tech Industrial Development Zone,

Cixi City, Zhejiang Province, China

Zip code: 315303

Switchboard: +86 574-63288158

Fax: +86 574-63288170

E-mail: [supucontact@supu.cn](mailto:supucontact@supu.cn)

Service Hotline: 400-626-6336



Wechat

---

Date:2026-05-25 21:22

The right to modify data belongs to SUPU.