

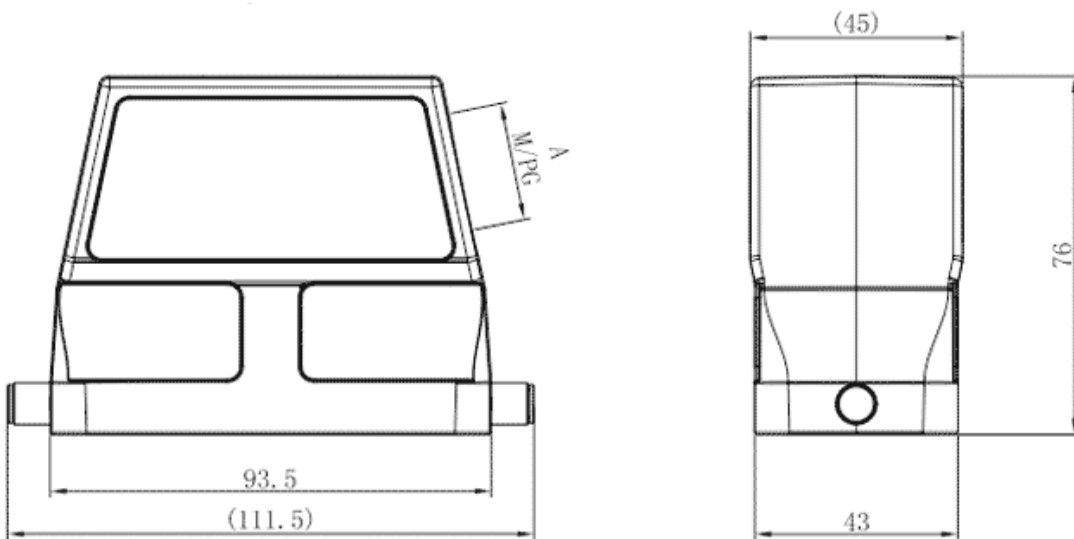


Product Type: Heavy-duty Connector Housing

Product Name: S16B-SEH-2B-PG21

Product Description: S16B Hoods, side entry, high construction, 2 bolts, PG21 thread

## Product Size



## Parameters

|                               |                  |
|-------------------------------|------------------|
| ☞ SUPU ID                     | S16B-SEH-2B-PG21 |
| ☞ Protection Level            | IP65             |
| ☞ Operating temperature range | -40°C~+125°C     |
| ☞ Color                       | Grey             |

|                        |         |
|------------------------|---------|
| ☞ Thread type          | PG21    |
| ☞ Category             | Housing |
| ☞ Mechanical endurance | ≥500    |

### Technical data

|                    |                   |
|--------------------|-------------------|
| ☞ Sealing material | NBR               |
| ☞ Housing Material | Die-Cast Aluminum |

### Commercial data

|                          |                  |
|--------------------------|------------------|
| ☞ Order No               | S16B-SEH-2B-PG21 |
| ☞ Packing unit           | PCS              |
| ☞ Minimum order quantity | 1                |

## Ningbo SUPU Electronics Co., Ltd.

Address: No. 150, Xinxing 4th Road, High-tech Industrial Development Zone,

Cixi City, Zhejiang Province, China

Zip code: 315303

Switchboard: +86 574-63288158

Fax: +86 574-63288170

E-mail: [supucontact@supu.cn](mailto:supucontact@supu.cn)

Service Hotline: 400-626-6336



Wechat

---

Date:2026-06-10 07:44

The right to modify data belongs to SUPU.