

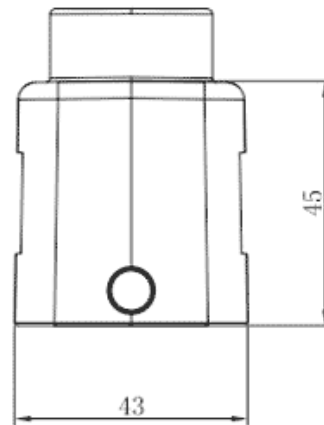
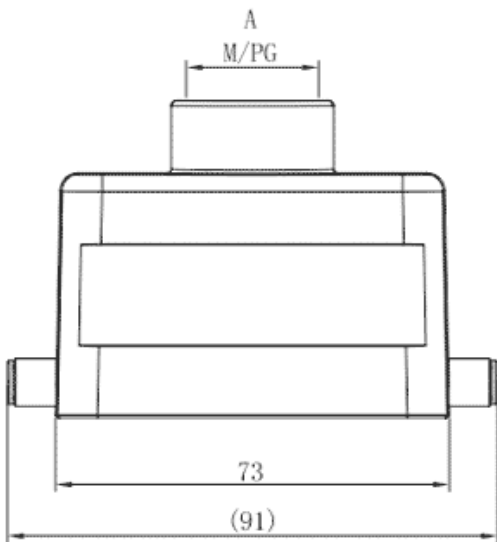


Product Type: Heavy-duty Connector Housing

Product Name: S10B-TE-2B-M20

Product Description: S10B Hoods, top entry, 2 bolts, M20 thread

## Product Size



## Parameters

|                               |                |
|-------------------------------|----------------|
| ⌘ SUPU ID                     | S10B-TE-2B-M20 |
| ⌘ Protection Level            | IP65           |
| ⌘ Operating temperature range | -40°C~+125°C   |
| ⌘ Color                       | Grey           |

|                        |         |
|------------------------|---------|
| ☞ Thread type          | M20     |
| ☞ Category             | Housing |
| ☞ Mechanical endurance | ≥500    |

## Technical data

|                    |                   |
|--------------------|-------------------|
| ☞ Sealing material | NBR               |
| ☞ Housing Material | Die-Cast Aluminum |

## Commercial data

|                          |                |
|--------------------------|----------------|
| ☞ Order No               | S10B-TE-2B-M20 |
| ☞ Packing unit           | PCS            |
| ☞ Minimum order quantity | 1              |

### Ningbo SUPU Electronics Co., Ltd.

Address: No. 150, Xinxing 4th Road, High-tech Industrial Development Zone,

Cixi City, Zhejiang Province, China

Zip code: 315303

Switchboard: +86 574-63288158

Fax: +86 574-63288170

E-mail: [supucontact@supu.cn](mailto:supucontact@supu.cn)

Service Hotline: 400-626-6336



Wechat

---

Date:2026-06-10 07:46

The right to modify data belongs to SUPU.