

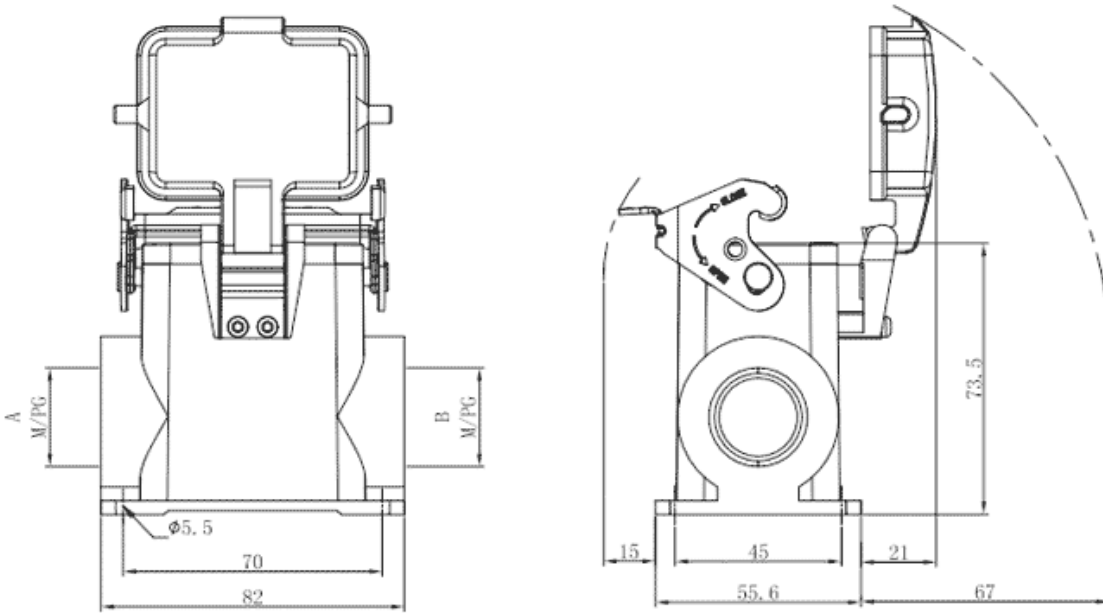


Product Type: Heavy-duty Connector Housing





Product Name: S6B-SMH-1L.M-PG21-MC

Product Description: S6B Housings, metal, 1 levers, surface mounting, high construction, PG21 thread, metal cover

## Product Size



## Parameters

|  |                      |
|--|----------------------|
|  SUPU ID                     | S6B-SMH-1L.M-PG21-MC |
|  Protection Level            | IP65                 |
|  Operating temperature range | -40°C~+125°C         |
|  Color                       | Grey                 |

|                        |      |
|------------------------|------|
| ☞ Thread type          | PG21 |
| ☞ Category             | Base |
| ☞ Mechanical endurance | ≥500 |

## Technical data

|                    |                   |
|--------------------|-------------------|
| ☞ Sealing material | NBR               |
| ☞ Housing Material | Die-Cast Aluminum |

## Commercial data

|                          |                      |
|--------------------------|----------------------|
| ☞ Order No               | S6B-SMH-1L.M-PG21-MC |
| ☞ Packing unit           | PCS                  |
| ☞ Minimum order quantity | 1                    |

### Ningbo SUPU Electronics Co., Ltd.

Address: No. 150, Xinxing 4th Road, High-tech Industrial Development Zone,

Cixi City, Zhejiang Province, China

Zip code: 315303

Switchboard: +86 574-63288158

Fax: +86 574-63288170

E-mail: [supucontact@supu.cn](mailto:supucontact@supu.cn)

Service Hotline: 400-626-6336



Wechat

---

Date:2025-07-23 15:09

The right to modify data belongs to SUPU.