

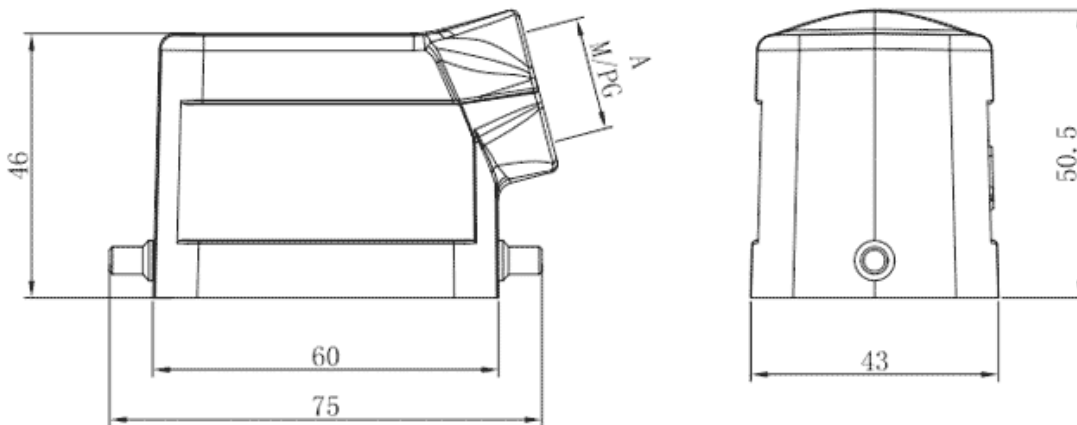


Product Type: Heavy-duty Connector Housing

Product Name: S6B-SE-2B-
PG13.5

Product Description: S6B Hoods, side entry, 2 bolts, PG13.5 thread

Product Size



Parameters

⌘ SUPU ID	S6B-SE-2B-PG13.5
⌘ Protection Level	IP65
⌘ Operating temperature range	-40°C~+125°C
⌘ Color	Grey

☞ Thread type	PG13.5
☞ Category	Housing
☞ Mechanical endurance	≥500

Technical data

☞ Sealing material	NBR
☞ Housing Material	Die-Cast Aluminum

Commercial data

☞ Order No	S6B-SE-2B-PG13.5
☞ Packing unit	PCS
☞ Minimum order quantity	1

Ningbo SUPU Electronics Co., Ltd.

Address: No. 150, Xinxing 4th Road, High-tech Industrial Development Zone,

Cixi City, Zhejiang Province, China

Zip code: 315303

Switchboard: +86 574-63288158

Fax: +86 574-63288170

E-mail: supucontact@supu.cn

Service Hotline: 400-626-6336



Wechat

Date:2025-07-25 21:40

The right to modify data belongs to SUPU.