

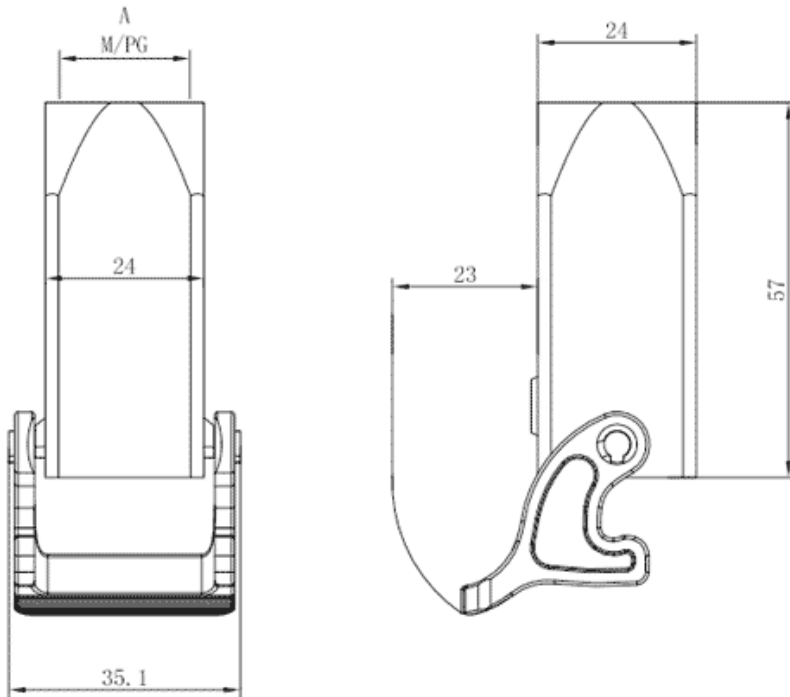


Product Type: Heavy-duty Connector Housing

Product Name: S3A.P-CC-1L-M20

Product Description: S3A.P Housings, plastic, 1 levers, surface mounting, M20 thread

**Product Size**



**Parameters**

|                               |                 |
|-------------------------------|-----------------|
| ⌘ SUPU ID                     | S3A.P-CC-1L-M20 |
| ⌘ Protection Level            | IP65            |
| ⌘ Operating temperature range | -40°C~+125°C    |
| ⌘ Color                       | Grey            |

|                        |      |
|------------------------|------|
| ☞ Thread type          | M20  |
| ☞ Category             | Base |
| ☞ Mechanical endurance | ≥500 |

### Technical data

|                    |     |
|--------------------|-----|
| ☞ Sealing material | NBR |
| ☞ Housing Material | PC  |

### Commercial data

|                          |                 |
|--------------------------|-----------------|
| ☞ Order No               | S3A.P-CC-1L-M20 |
| ☞ Packing unit           | PCS             |
| ☞ Minimum order quantity | 1               |

## Ningbo SUPU Electronics Co., Ltd.

Address: No. 150, Xinxing 4th Road, High-tech Industrial Development Zone,

Cixi City, Zhejiang Province, China

Zip code: 315303

Switchboard: +86 574-63288158

Fax: +86 574-63288170

E-mail: [supucontact@supu.cn](mailto:supucontact@supu.cn)

Service Hotline: 400-626-6336



Wechat

---

Date:2026-02-18 01:14

The right to modify data belongs to SUPU.