



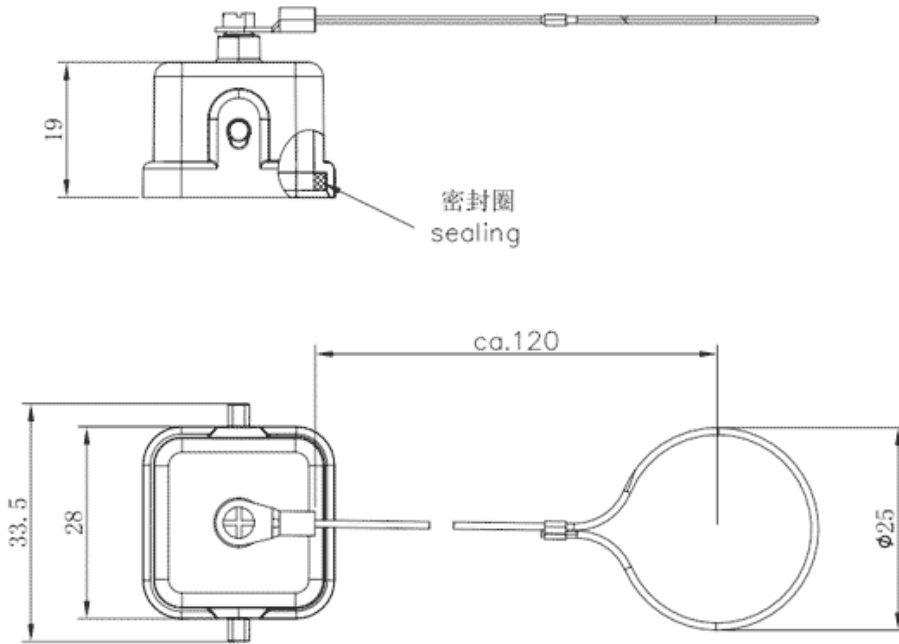
Product Type: Accessory

Product Name: S3A-MC-2B-1F

Product Description: S3A Protection, metal, 2 bolts, for female insert



Product Size



Parameters

<input checked="" type="checkbox"/> SUPU ID	S3A-MC-2B-1F
<input checked="" type="checkbox"/> Protection Level	IP65
<input checked="" type="checkbox"/> Operating temperature range	-40°C~+125°C
<input checked="" type="checkbox"/> Thread type	/

☒ Category	Metal Protective Cover
☒ Product type	Accessory Metal Protective Cover
☒ Mechanical endurance	≥500

Ningbo SUPU Electronics Co., Ltd.

Address: No. 150, Xinxing 4th Road, High-tech Industrial Development Zone,
Cixi City, Zhejiang Province, China

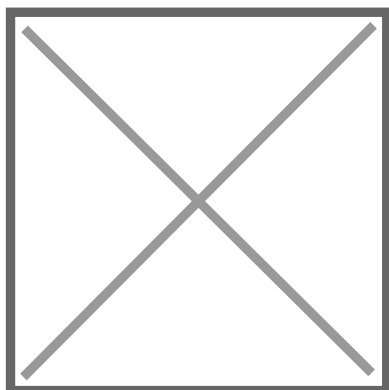
Zip code: 315303

Switchboard: +86 574-63288158

Fax: +86 574-63288170

E-mail:supucontact@supu.cn

Service Hotline: 400-626-6336



Wechat