

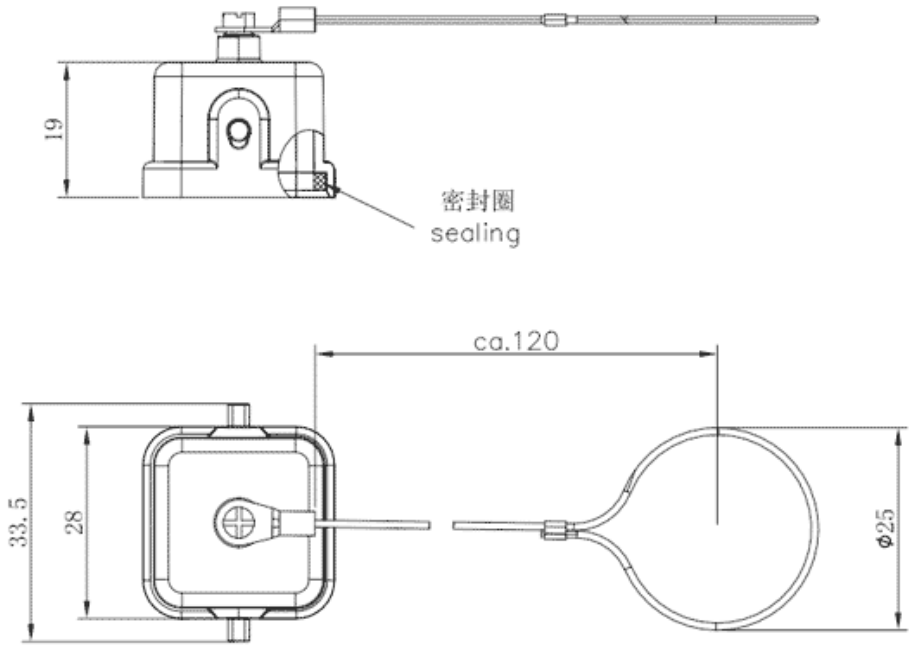
Product Type: Accessory

Product Name:S3A-MC-2B-1M

Product Description: S3A Protection,metal,2 bolts,for male insert



Product Size



Parameters

☞ SUPU ID	S3A-MC-2B-1M
☞ Protection Level	IP65
☞ Operating temperature range	-40°C~+125°C
☞ Thread type	/

☞ Category

Metal Protective Cover

☞ Product type

Accessory Metal Protective Cover

☞ Mechanical endurance

≥500

Ningbo SUPU Electronics Co., Ltd.

Address: No. 150, Xinxing 4th Road, High-tech Industrial Development Zone,
Cixi City, Zhejiang Province, China

Zip code: 315303

Switchboard: +86 574-63288158

Fax: +86 574-63288170

E-mail:supucontact@supu.cn

Service Hotline: 400-626-6336



Wechat

Date:2026-05-02 03:37

The right to modify data belongs to SUPU.