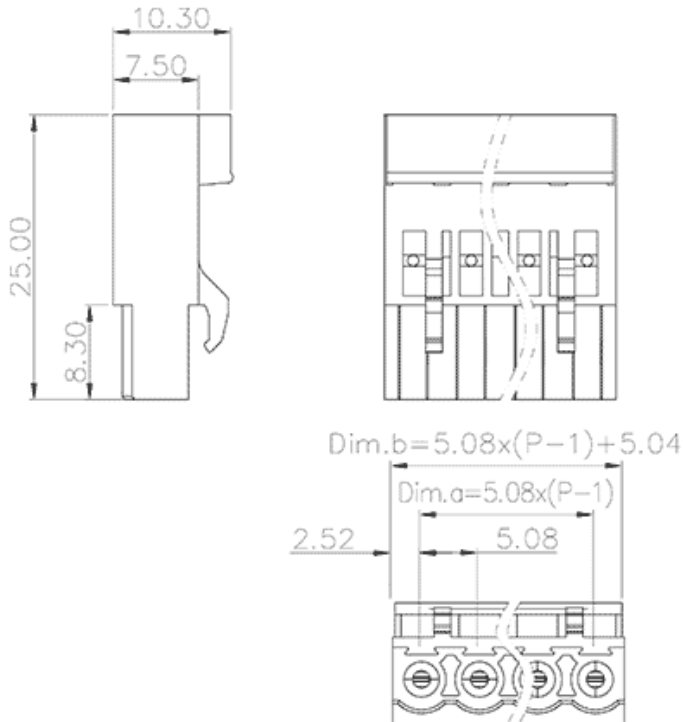


Product Type: Crimp terminal

Product Name:MC-
RB5.08HXXB-100-0001

Product Description: Pitch:5.08mm Rated
Voltage : 320V Connection method : Cold
connection

Product Size



Parameters

☞ SUPU ID	MC-RB5.08H02B/100-0001
☞ Pitch	5.08
☞ Number of levels	Single layer
☞ Number of connections	XX

☞ Connection method	Cold Pressure Wiring
☞ Protection Level	IP20
☞ Operating temperature range	-40~+105°C
☞ Insulation material	PA66
☞ Insulation material group	I
☞ Contact material	Copper alloy
☞ Contact plating	Sn,Plated
☞ Color	Green

Commercial data

☞ Order No	MC-RB5.08H02B/100-0001
------------	------------------------

Ningbo SUPU Electronics Co., Ltd.

Address: No. 150, Xinxing 4th Road, High-tech Industrial Development Zone,

Cixi City, Zhejiang Province, China

Zip code: 315303

Switchboard: +86 574-63288158

Fax: +86 574-63288170

E-mail:supucontact@supu.cn

Service Hotline: 400-626-6336



Date:2026-05-09 04:32

The right to modify data belongs to SUPU.