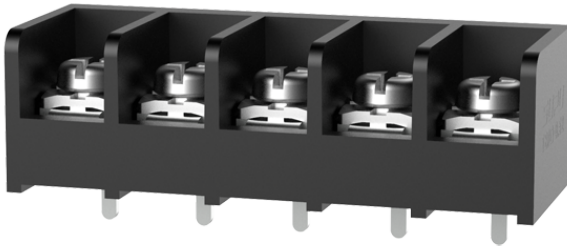


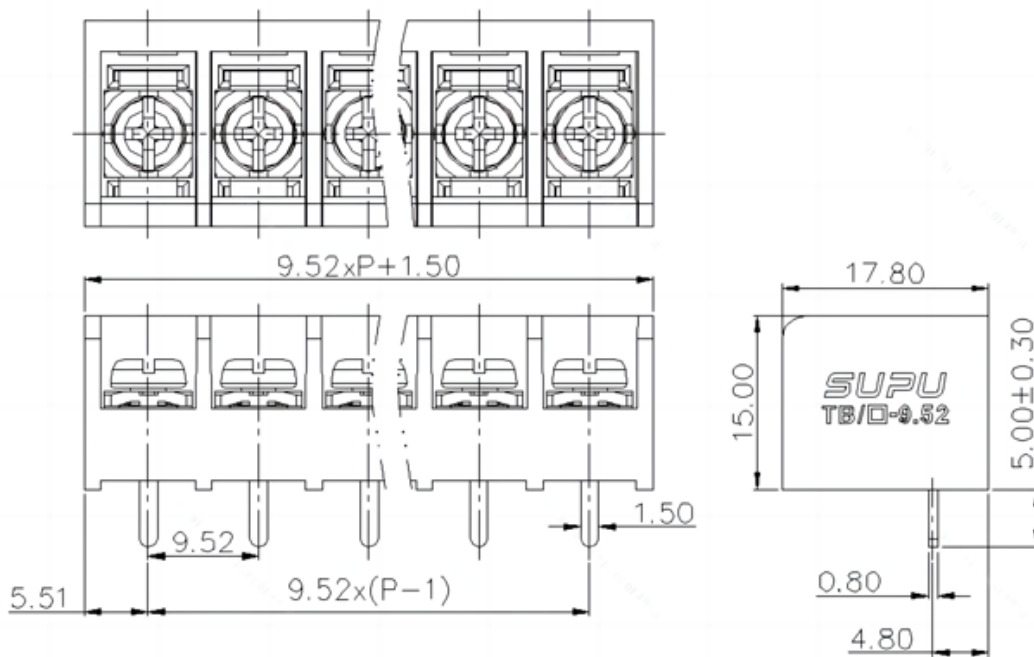
Product Type: Barrier terminal

Product Name: TB-B6-9.52VXXC-50-001







Product Description: pitch : 9.52mm, rated voltage IEC630V, rated current IEC32A, color: black, Rated cross section 22-12AWG

Product Size



Parameters

 SUPU ID	TB/B6-9.52V02C-50-001
 Pitch	9.52
 Number of levels	Single layer
 Number of connections	XX

☞ Connection method	Screw connection
☞ Protection Level	IP20
☞ Operating temperature range	-40°C ~+105°C
☞ Insulation material	PA66
☞ Insulation material group	I
☞ Contact material	Copper alloy
☞ Contact plating	Sn plated

Technical data

☞ IEC Rated Current	32/32/32
☞ IEC Rated Voltage	500/630/1000
☞ Overvoltage category	III/III/ II
☞ Degree of pollution	3/2/2
☞ Rated impulse voltage	/
☞ Conductor cross section rigid	0.5-4
☞ Stripping length	8-9
☞ Tightening torque	10.53
☞ Connection capacity AWG	22-12
☞ UL Rated Current	25/10
☞ UL Rated Current	300/300

Commercial data

☞ Order No	TB/B6-9.52V02C-50-001
------------	-----------------------

Ningbo SUPU Electronics Co., Ltd.

Address: No. 150, Xinxing 4th Road, High-tech Industrial Development Zone,
Cixi City, Zhejiang Province, China

Zip code: 315303

Switchboard: +86 574-63288158

Fax: +86 574-63288170

E-mail:supucontact@supu.cn

Service Hotline: 400-626-6336



Wechat

Date:2025-07-22 01:07

The right to modify data belongs to SUPU.