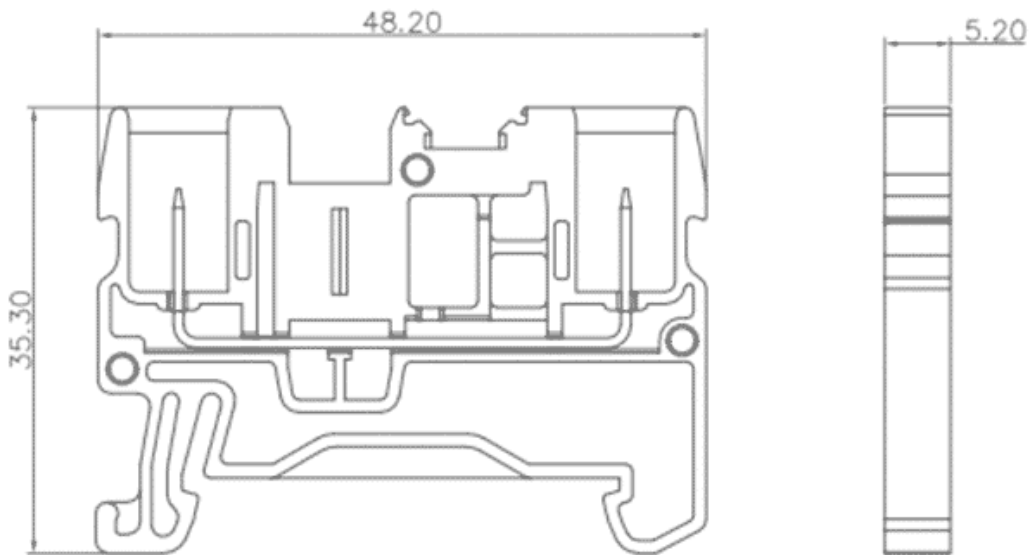


Product Type: Push-in spring terminal

**Product Name:TP2.5-2-2-GY**

Product Description: Connection method:Push in connection,IEC Rated Current:24A,IEC Rated Voltage:500V,Number of connections:2,Number of levels : 1

**Product Size**



**Parameters**

|                         |              |
|-------------------------|--------------|
| ☞ SUPU ID               | TP2.5-2-2-GY |
| ☞ Width                 | 5.2mm        |
| ☞ Number of levels      | 1            |
| ☞ Number of connections | 2            |

|  |              |
|--|--------------|
| ☞ Connection method                        | 直插弹簧接线       |
| ☞ Protection Level                         | IP20         |
| ☞ Insulation material                      | PA66         |
| ☞ Insulation material group                | I            |
| ☞ Contact material                         | Copper alloy |
| ☞ Contact plating                          | Sn,Plated    |
| ☞ Ambient temperature (operation)          | -40°C~105°C  |
| ☞ Ambient temperature (assembly)           | -5°C~70°C    |
| ☞ Ambient temperature (storage)            | -25°C~60°C   |
| ☞ Permissible humidity (storage/transport) | 30%~70%      |

## Technical data

|   |              |
|---|--------------|
| ☞ IEC Rated Current                             | 24A          |
| ☞ IEC Rated Voltage                             | 500V         |
| ☞ Overvoltage category                          | III          |
| ☞ Degree of pollution                           | 3            |
| ☞ Rated impulse voltage                         | 6KV          |
| ☞ UL Rated Current                              | 20/20/5A     |
| ☞ UL Rated Voltage                              | 300/300/600V |
| ☞ Conductor cross section rigid                 | /            |
| ☞ Conductor cross section flexible              | /            |
| ☞ Conductor cross section flexible,with ferrule | /            |
| ☞ Stripping length                              | /            |
| ☞ Use group                                     | B/C/D        |

## Commercial data

☞ Order No

TP2.5-2-2-GY

### Ningbo SUPU Electronics Co., Ltd.

Address: No. 150, Xinxing 4th Road, High-tech Industrial Development Zone,  
Cixi City, Zhejiang Province, China

Zip code: 315303

Switchboard: +86 574-63288158

Fax: +86 574-63288170

E-mail:supucontact@supu.cn

Service Hotline: 400-626-6336



Wechat