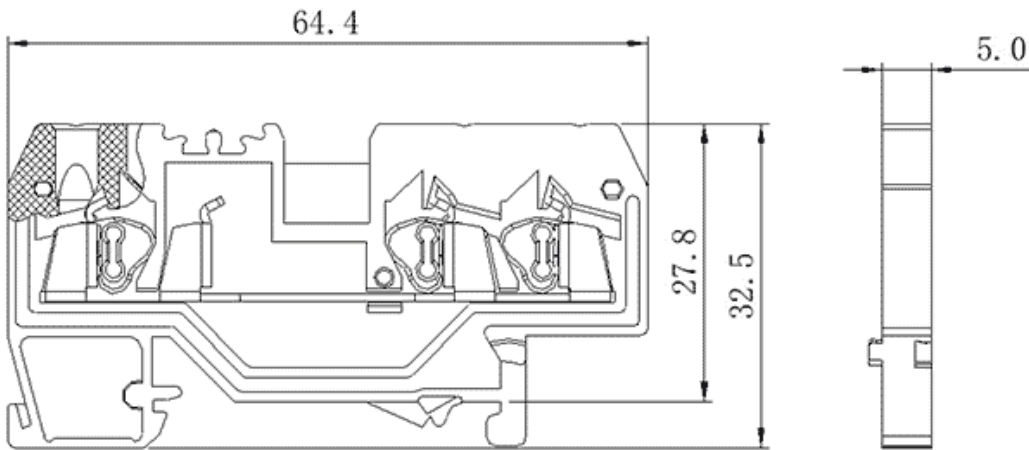


Product Type: Spring-cage terminal

## Product Name:225951

Product Description: Connection method:Spring-cage connection,IEC Rated Current:24A,IEC Rated Voltage:800V,Number of connections:3,Number of levels : 1,Cross section:28-14AWG

### Product Size



### Parameters

|                         |        |
|-------------------------|--------|
| ☞ SUPU ID               | 225951 |
| ☞ Width                 | 5mm    |
| ☞ Number of levels      | 1      |
| ☞ Number of connections | 3      |

|  |                        |
|--|------------------------|
| ☞ Connection method                        | Spring-cage connection |
| ☞ Protection Level                         | IP20                   |
| ☞ Insulation material                      | PA66                   |
| ☞ Insulation material group                | I                      |
| ☞ Contact material                         | Copper alloy           |
| ☞ Contact plating                          | Sn,Plated              |
| ☞ Ambient temperature (operation)          | -40°C~105°C            |
| ☞ Ambient temperature (assembly)           | -5°C~70°C              |
| ☞ Ambient temperature (storage)            | -25°C~60°C             |
| ☞ Permissible humidity (storage/transport) | 30%~70%                |

## Commercial data

|            |        |
|------------|--------|
| ☞ Order No | 225951 |
|------------|--------|

### Ningbo SUPU Electronics Co., Ltd.

Address: No. 150, Xinxing 4th Road, High-tech Industrial Development Zone,

Cixi City, Zhejiang Province, China

Zip code: 315303

Switchboard: +86 574-63288158

Fax: +86 574-63288170

E-mail:supucontact@supu.cn

Service Hotline: 400-626-6336



Wechat

---

Date:2026-05-15 09:11

The right to modify data belongs to SUPU.