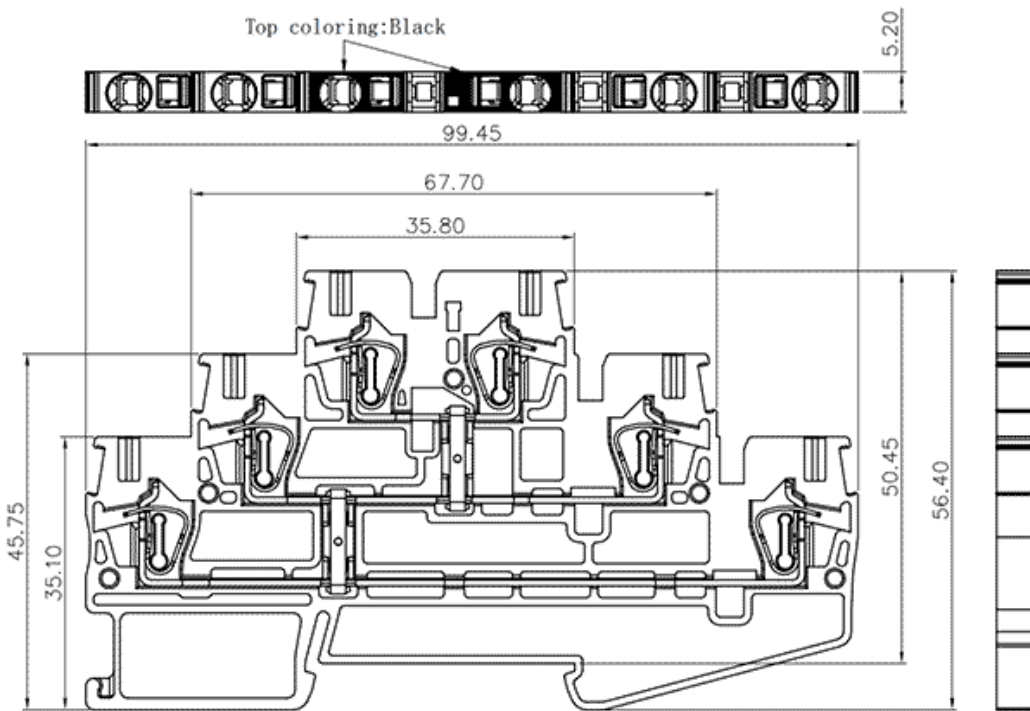


Product Type: Spring-cage terminal

## Product Name:TCT2.5-2-PV-GY

Product Description: Connection method:Spring-cage connection,IEC Rated Current:22A,IEC Rated Voltage:500V,Number of connections:6,Number of levels : 3,Cross section:28-12AWG

### Product Size



### Parameters

<input checked="" type="checkbox"/> SUPU ID	TCT2.5-2-PV-GY
<input checked="" type="checkbox"/> Width	5.2mm
<input checked="" type="checkbox"/> Number of levels	3
<input checked="" type="checkbox"/> Number of connections	6

<input checked="" type="checkbox"/> Connection method	Spring-cage connection
<input checked="" type="checkbox"/> Protection Level	IP20
<input checked="" type="checkbox"/> Insulation material	PA66
<input checked="" type="checkbox"/> Insulation material group	I
<input checked="" type="checkbox"/> Contact material	Copper alloy
<input checked="" type="checkbox"/> Contact plating	Sn,Plated
<input checked="" type="checkbox"/> Ambient temperature (operation)	-40°C~105°C
<input checked="" type="checkbox"/> Ambient temperature (assembly)	-5°C~70°C
<input checked="" type="checkbox"/> Ambient temperature (storage)	-25°C~60°C
<input checked="" type="checkbox"/> Permissible humidity (storage/transport)	30%~70%

## Commercial data

<input checked="" type="checkbox"/> Order No	TCT2.5-2-PV-GY
--	----------------

## Ningbo SUPU Electronics Co., Ltd.

Address: No. 150, Xinxing 4th Road, High-tech Industrial Development Zone,  
Cixi City, Zhejiang Province, China

Zip code: 315303

Switchboard: +86 574-63288158

Fax: +86 574-63288170

E-mail:supucontact@supu.cn

Service Hotline: 400-626-6336



Wechat

---

Date:2026-05-04 10:38

The right to modify data belongs to SUPU.