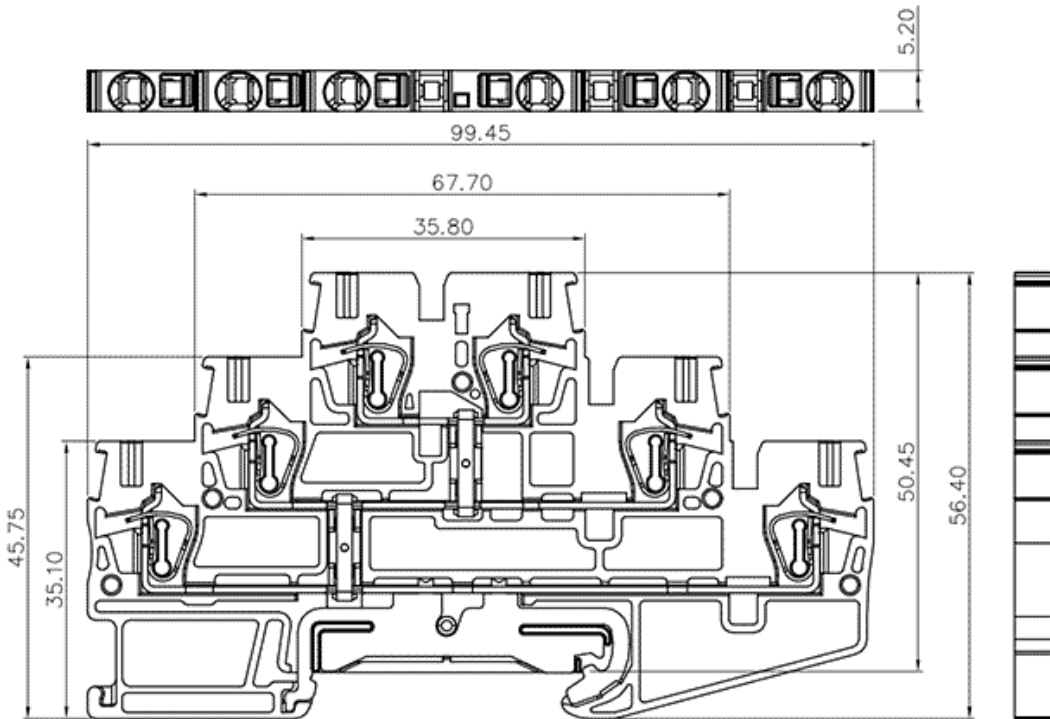


Product Type: Spring-cage terminal

Product Name: TCT2.5-2-PE

Product Description: Connection method: Spring-cage connection, IEC Rated Voltage: 500V, Number of connections: 6, Number of levels : 3, Cross section: 28-12AWG

Product Size



Parameters

☞ SUPU ID	TCT2.5-2-PE
☞ Width	5.2mm
☞ Number of levels	3
☞ Number of connections	6

☞ Connection method	Spring-cage connection
☞ Protection Level	IP20
☞ Insulation material	PA66
☞ Insulation material group	I
☞ Contact material	Copper alloy
☞ Contact plating	Sn,Plated
☞ Ambient temperature (operation)	-40°C~105°C
☞ Ambient temperature (assembly)	-5°C~70°C
☞ Ambient temperature (storage)	-25°C~60°C
☞ Permissible humidity (storage/transport)	30%~70%

Commercial data

☞ Order No	TCT2.5-2-PE
------------	-------------

Ningbo SUPU Electronics Co., Ltd.

Address: No. 150, Xinxing 4th Road, High-tech Industrial Development Zone,

Cixi City, Zhejiang Province, China

Zip code: 315303

Switchboard: +86 574-63288158

Fax: +86 574-63288170

E-mail:supucontact@supu.cn

Service Hotline: 400-626-6336



Wechat

Date:2026-05-02 07:36

The right to modify data belongs to SUPU.