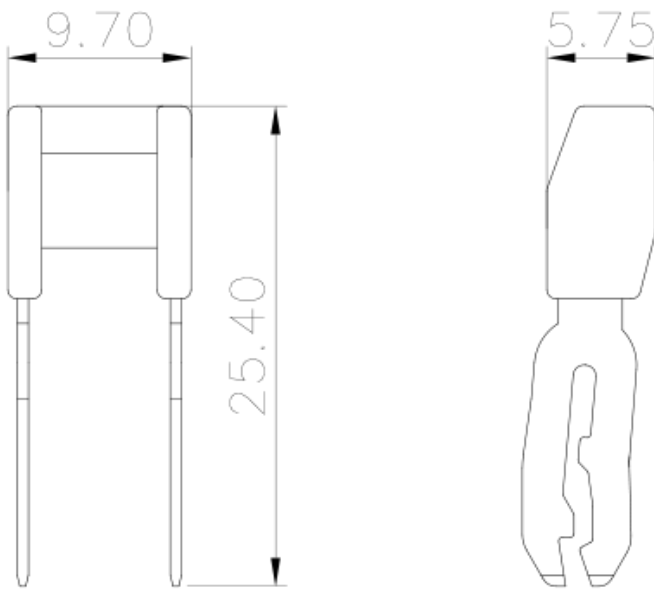


Product Type: Accessories

Product Name:225321-3

Product Description: Staggered jumper,suitable for SP225 series,color: gray.

Product Size



Parameters

☞ SUPU ID	225321-3
☞ Pitch	8.1mm
☞ Insulation material	PA66
☞ Insulation material group	I

☞ Ambient temperature (operation)	-40°C~105°C
☞ Ambient temperature (assembly)	-5°C~70°C
☞ Ambient temperature (storage)	-25°C~60°C
☞ Permissible humidity (storage/transport)	30%~70%

Commercial data

☞ Order No	225321-3
------------	----------

Ningbo SUPU Electronics Co., Ltd.

Address: No. 150, Xinxing 4th Road, High-tech Industrial Development Zone,
Cixi City, Zhejiang Province, China

Zip code: 315303

Switchboard: +86 574-63288158

Fax: +86 574-63288170

E-mail:supucontact@supu.cn

Service Hotline: 400-626-6336



Wechat